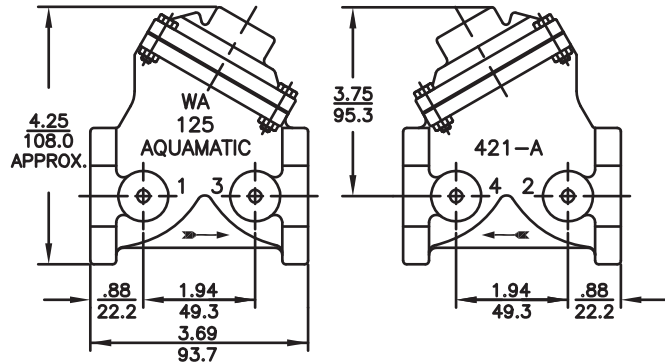
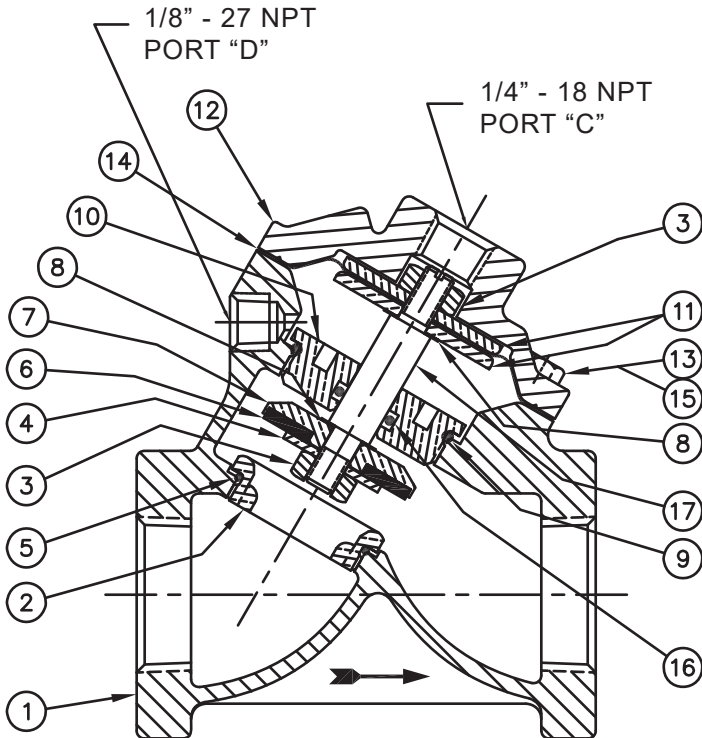


3/4" & 1" AIR VALVE - STANDARD MODEL



INCHES
MILLIMETERS



1072459 (VAVB-0000-90000) (3/4" NPT)
1072464 (VAVC-0000-90000) (1" NPT)

NORMALLY OPEN (STANDARD)

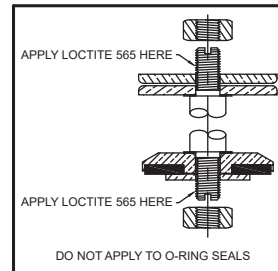
REPAIR PARTS KITS		
DESCRIPTION	PART NO.	
DIAPHRAGM & SEALS KIT CONSISTS OF ITEM NO'S 3(2),5,6,8(2),9,14,16	1070106 (AV1-RA)	1070498 (AV1-RAHT)
	INCLUDES DISC 1074144 (421-JH), DIAPHRAGM 1074119	INCLUDES DISC 1074145 (421-JT), DIAPHRAGM 1074120
INT. PARTS KIT (NORM. OPEN) CONSISTS OF STANDARD ITEM NO'S 4,7,10,11(2),17	1070118 (421-RF)	
SEAT (ITEM NO. 2)	1074158 (421-MO)	

ASSEMBLY TOOLS	
DESCRIPTION	PART NO.
FOR INSTALLATION & REMOVAL OF SEAT (ITEM #2) (TOOL NOT SHOWN)	1074161 (421-MT)
FOR INSTALLATION & REMOV- AL OF SHAFT GUIDE (ITEM #10) (TOOL NOT SHOWN)	1074124 (421-GT)

NO.	DESCRIPTION	STD	PART NO.	QTY.
1	BODY	CAST IRON	1074085 (421-A3)	1
		1" NPT	1074088 (421-A4)	
2	SEAT (REQ'S ASSY TOOL)	BRASS	1074158 (421-MO)	1
3	HEX NUT (1/4-28)		1263852	2
4	DISC PLATE	BRASS	1074147 (421-K)	1
5	O-RING	FKM	1071791 (ORV-024)	1
6	DISC	HYCAR	1074144 (421-JH)	1
		AFLAS	1074141 (421-JA)	
		GLASS FITTED TEFLON	1074145 (421-JT)	
7	DISC HOLDER	BRASS	1074126 (421-H)	1
8	GASKET	COPPER	1073948 (200-GG)	2
9	O-RING	FKM	1071803 (ORV-125)	1
10	SHAFT GUIDE (REQ'S ASSY TOOL)	BRASS	1074122 (421-GGO)	1
11	DIAPHRAGM PLATE	BRASS	1074117 (421-D)	2
12	CAP	CAST IRON	1074093 (421-C)	1
13	HEX SCREW 1/4"-20	PLATED STEEL	1072398 (SCZ-0004)	4
14	DIAPHRAGM	BUNA N	1074119	1
		FKM	1074120	
15	HEX NUT 1/4"-20	PLATED STEEL	1071656 (NUZ-0008)	4
16	O-RING	AFLAS	1071661 (ORA-110)	1
17	SHAFT (NORMALLY OPEN)		1074150 (421-L)	1

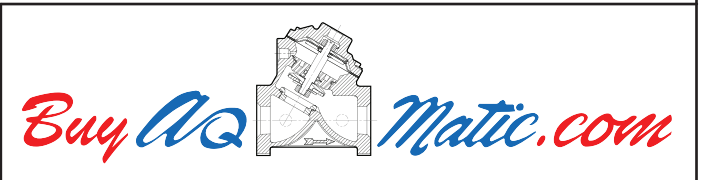
NOTE:

1. AMERICAN NATIONAL STANDARD TAPER PIPE THREADS (NPT) PER ANSI B2.1 - 1968
2. VALVES AVAILABLE WITH B.S.P.T. END CONNECTIONS.



SEE REVERSE SIDE FOR
CONFIGURATION OPTIONS

FORM NO. 1077635

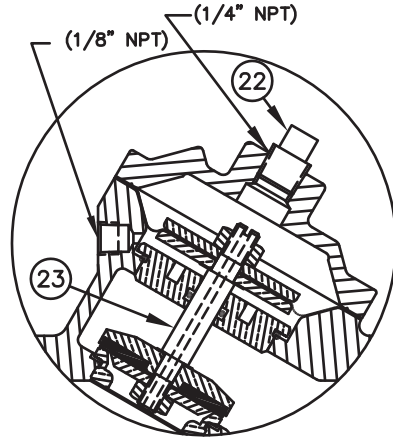


**SERIES VAV1 DIAPHRAGM VALVE
3/4" & 1" NPT OR BSPT**

DRAWN	JWB	DATE	14MAY01	DRAWING NO.	1084039
-------	-----	------	---------	-------------	---------

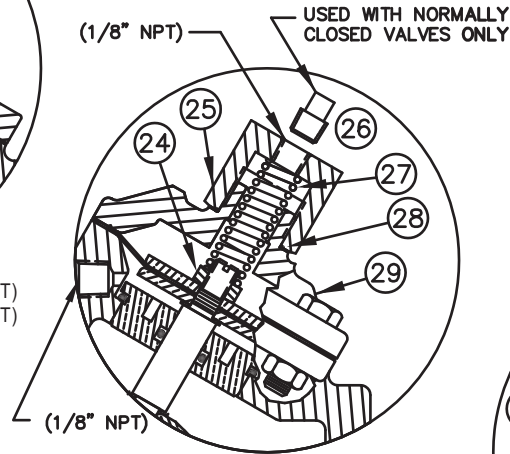
3/4" & 1" AIR VALVE - OPTIONAL MODELS

NO.	DESCRIPTION	STD	PART NO.	QTY.
NORMALLY CLOSED MODEL				
22	PIPE PLUG (1/4" NPT)	PLATED STEEL	* 1071918 (PLZ-0008)	1
23	SHAFT (NORMALLY CLOSED)		* 1074153 (421-LL)	1
SPRING ASSIST CLOSED MODEL				
24	CENTERING NUT		* 1074185 (421-X)	1
25	RETAINING NUT	BRASS	* 1074183 (421-TT)	1
26	PIPE PLUG (1/8" NPT)	BRASS	* 1071903 (PLZ-0007)	1
27	SPRING		* 1078602	1
28	O-RING		* 1071674 (ORB-020)	1
29	CAP	CAST IRON	* 1074099 (421-CC)	1
SPRING ASSIST OPEN MODEL				
4	DISC PLATE	BRASS	* 1074147 (421-K)	1
8	GASKET	COPPER	* 1073948 (200-GG)	1
31	SPRING		* 1078608	1



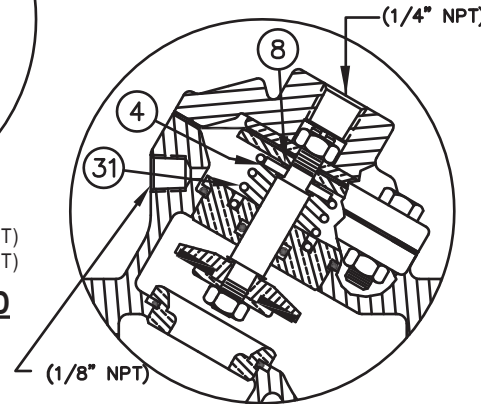
1072462 (VAVB-0030-90000) (3/4" NPT)
1072469 (VAVC-0030-90000) (1" NPT)

NORMALLY CLOSED



1072461 (VAVB-0002-90000) (3/4" NPT)
1072467 (VAVC-0002-90000) (1" NPT)

SPRING ASSIST CLOSED



1070056 (VAVB-0001-90000) (3/4" NPT)
1070060 (VAVC-0001-90000) (1" NPT)

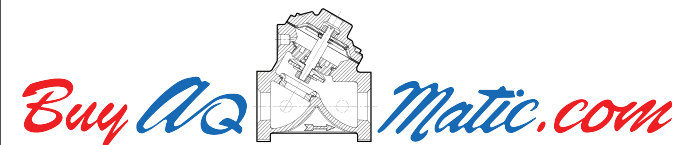
SPRING ASSIST OPEN

SEE REVERSE SIDE FOR
STANDARD NORMALLY OPEN MODEL

REPAIR PARTS KITS	
DESCRIPTION	PART NO.
INT. PARTS KIT (NORM. CLOSED) CONSISTS OF STANDARD ITEM NO'S 4,7,10,11(2),23	1070129 (421-RG)
INT. PARTS KIT (SPRING ASSIST CLOSED) CONSISTS OF STANDARD ITEM NO'S 24,27,28	1074176 (421-SC)
INT. PARTS KIT (SPRING ASSIST OPEN) CONSISTS OF STANDARD ITEM NO'S 4,8,10,31	1074178 (421-SO)

CONVERSION KITS	
DESCRIPTION	PART NO.
CONVERSION KIT (SPRING ASSIST CLOSED) CONSISTS OF STANDARD ITEM NO'S 24 - 29	1074177 (421-SCC)
CONVERSION KIT (SPRING ASSIST OPEN) CONSISTS OF STANDARD ITEM NO'S 4,8,10,31	1074179 (421-SOC)

FORM NO. 1077635



SERIES VAV1 DIAPHRAGM VALVE 3/4" & 1" NPT OR BSPT

DRAWN	JWB	DATE	14MAY01	DRAWING NO.	1084039
-------	-----	------	---------	-------------	---------